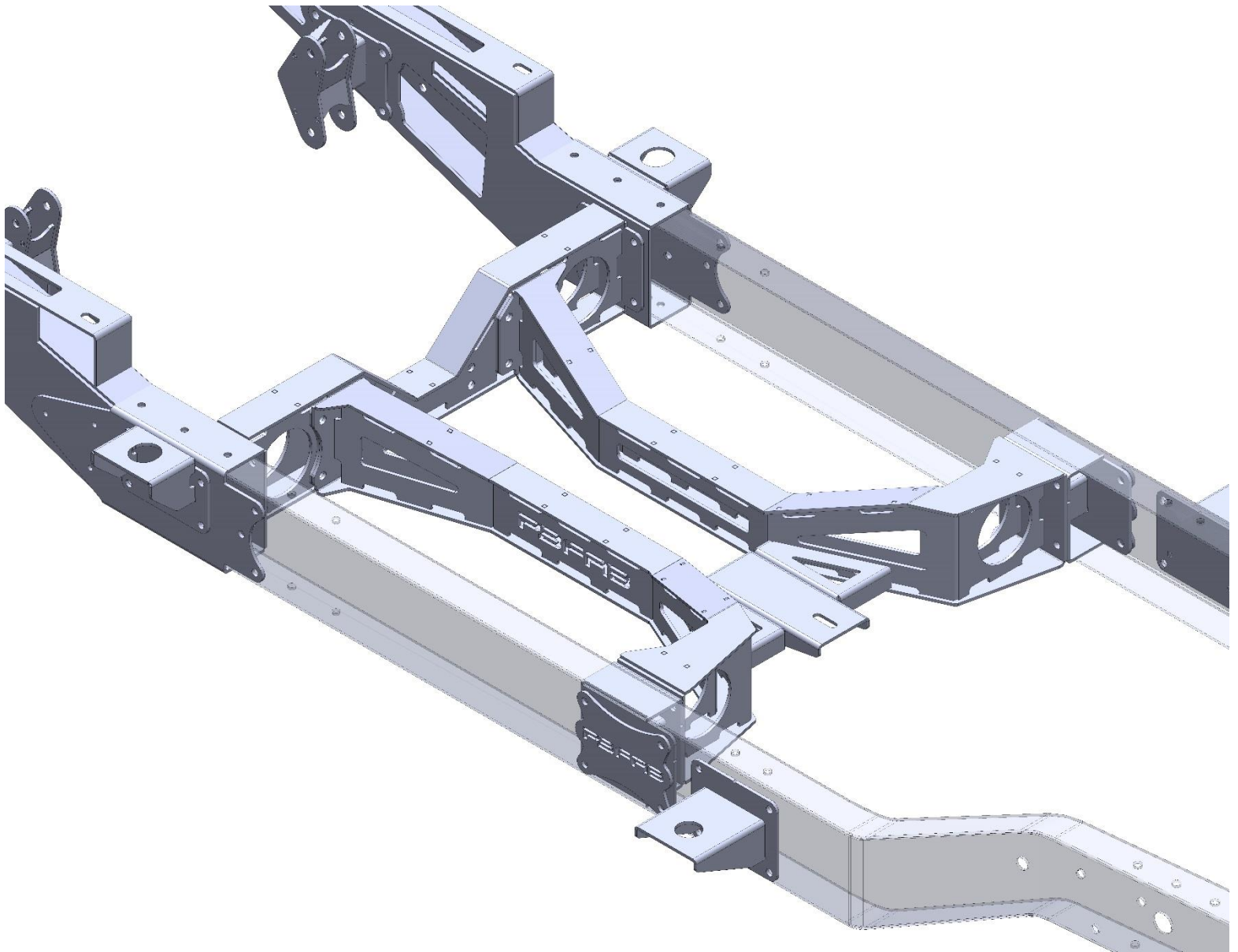


PBFAB INNER FRAME STIFFENER 63-72 C10 BACK HALF
LEVEL 2 AND LEVEL 3 COMPATIBLE

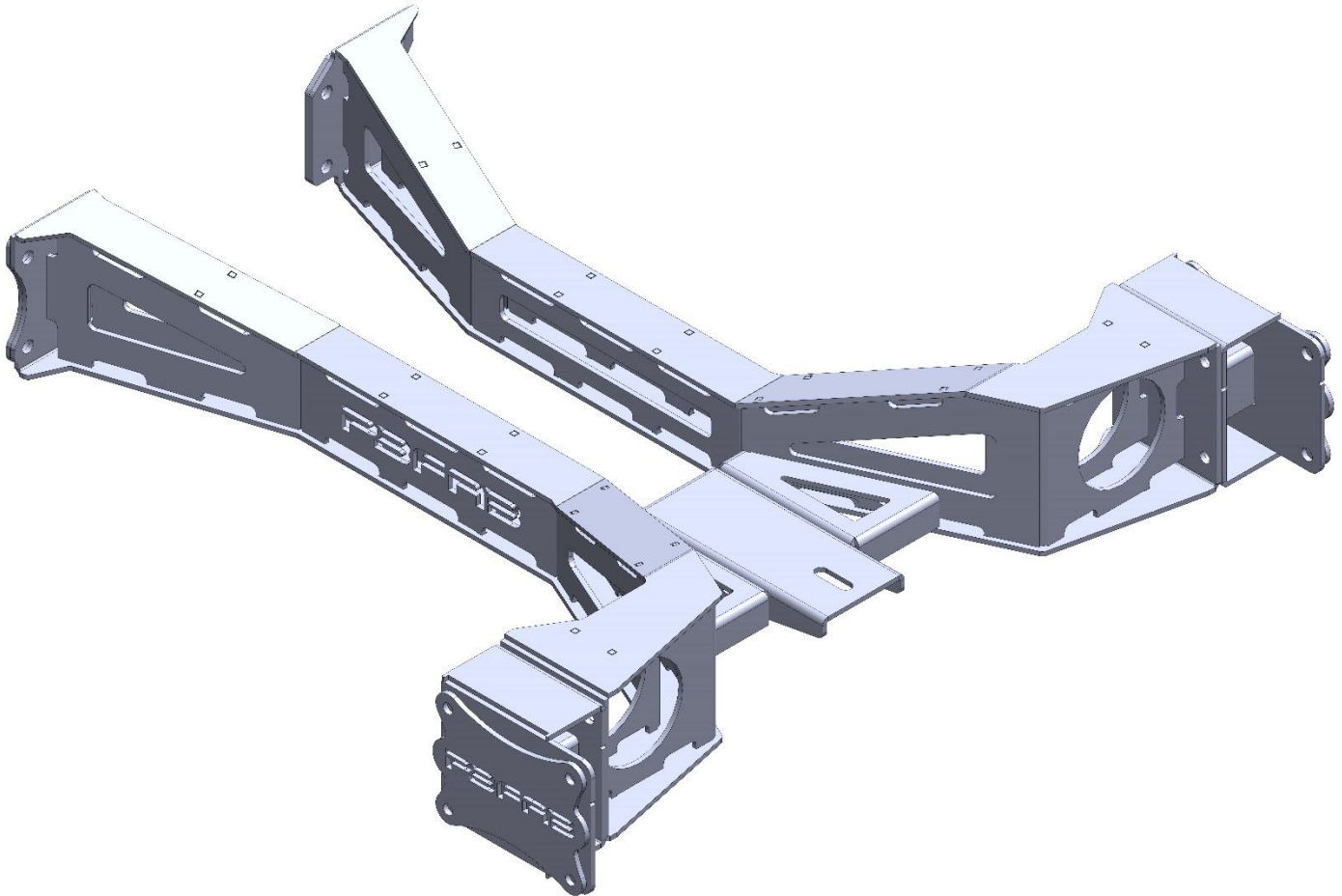


1/17/2020

PART# IFS6372-BH-2415

DESCRIPTION: INNER FRAME STIFFENER 63-72; BACK HALF SPECIFIC;

LEVEL 2/LEVEL 3 COMPATIBLE



HARDWARE DESCRIPTION:

7/16 X 1.25 GRADE 8 BOLT USS (QTY. 24)

7/16 GRADE 8 NYLOC NUT USS (QTY. 16)

7/16 GRADE 8 LOCKWASHER USS (QTY. 8)

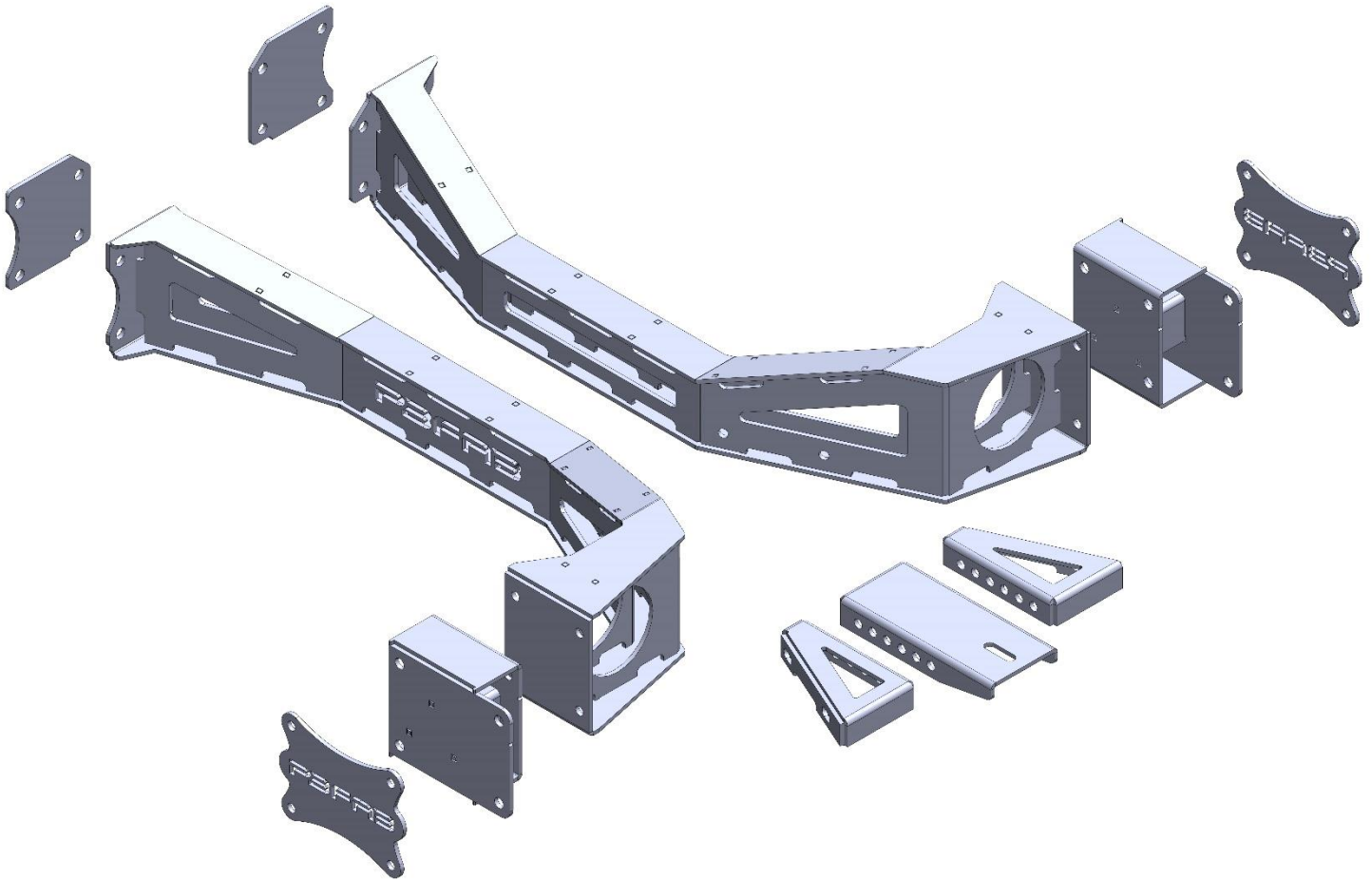
3/8 X 1 GRADE 8 BOLT USS (QTY. 8)

3/8 GRADE 8 FLAT WASHER (QTY. 52)

3/8 GRADE 8 LOCKWASHER USS (QTY. 4)

3/8 GRADE 8 NYLOC NUT USS (QTY. 4)

INNER FRAME STIFFENER EXPLODED VIEW



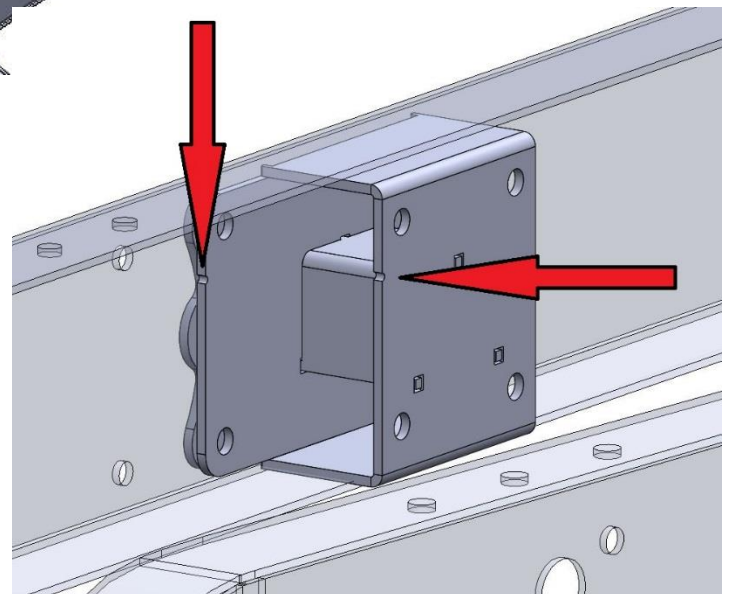
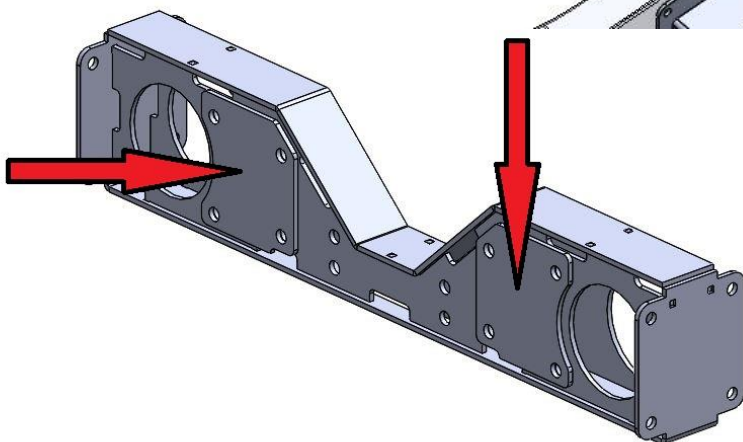
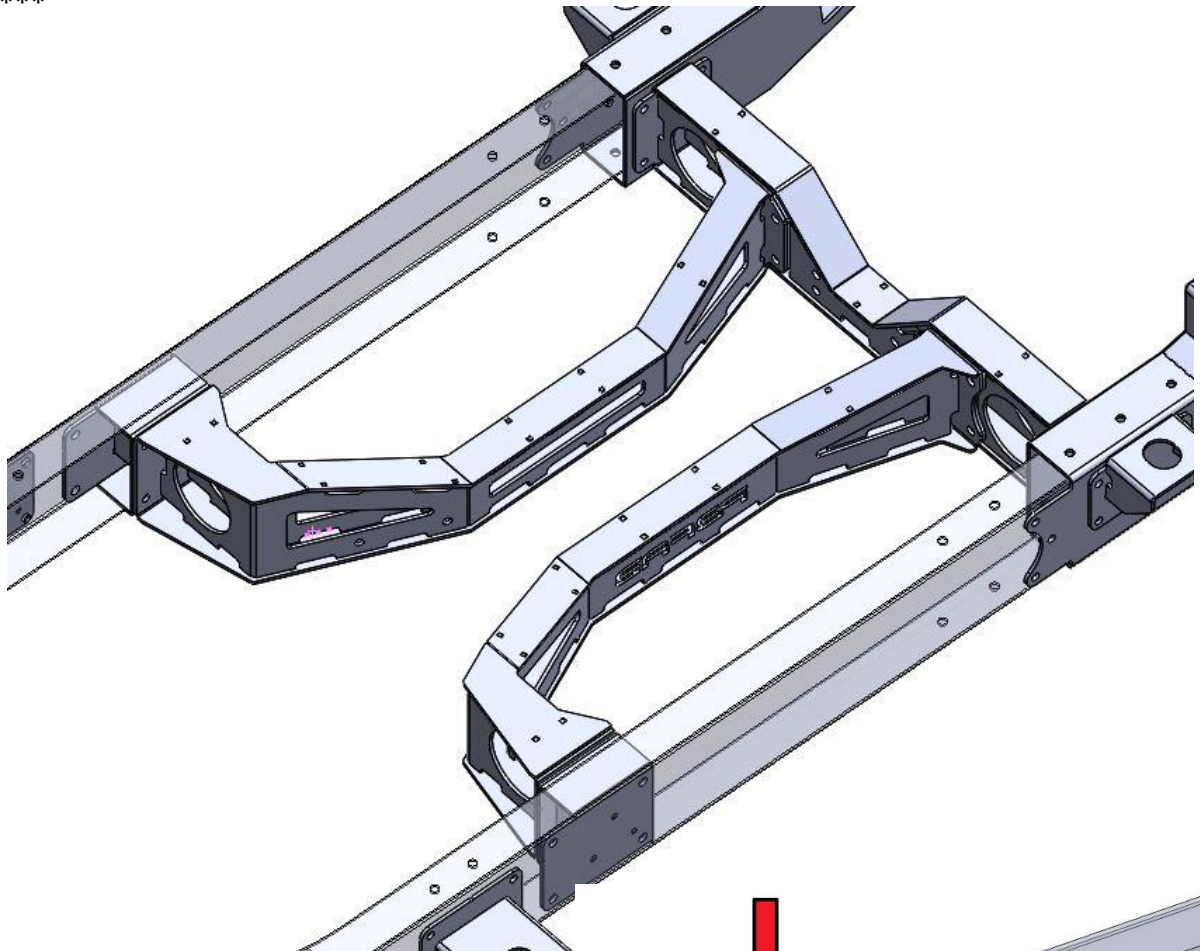
REFERENCE ABOVE IMAGE TO TAKE INVENTORY OF COMPONENTS TO ENSURE THEY ARE ALL ACCOUNTED FOR AND UNDAMAGED FROM SHIPPING

-MOCK-UP FRONT INNER FRAME STIFFENER STRUTS USING SUPPLIED 7/16 GRADE 8 HARDWARE; DO NOT FULLY TIGHTEN AT THIS TIME

-MARK AND DRILL MOUNTING HOLES FOR INNER FRAME STIFFENER TO FRAME MOUNTING BRACKETS (PBFAB LOGO PLATE WILL GO ON OUTSIDE OF FRAME RAIL)

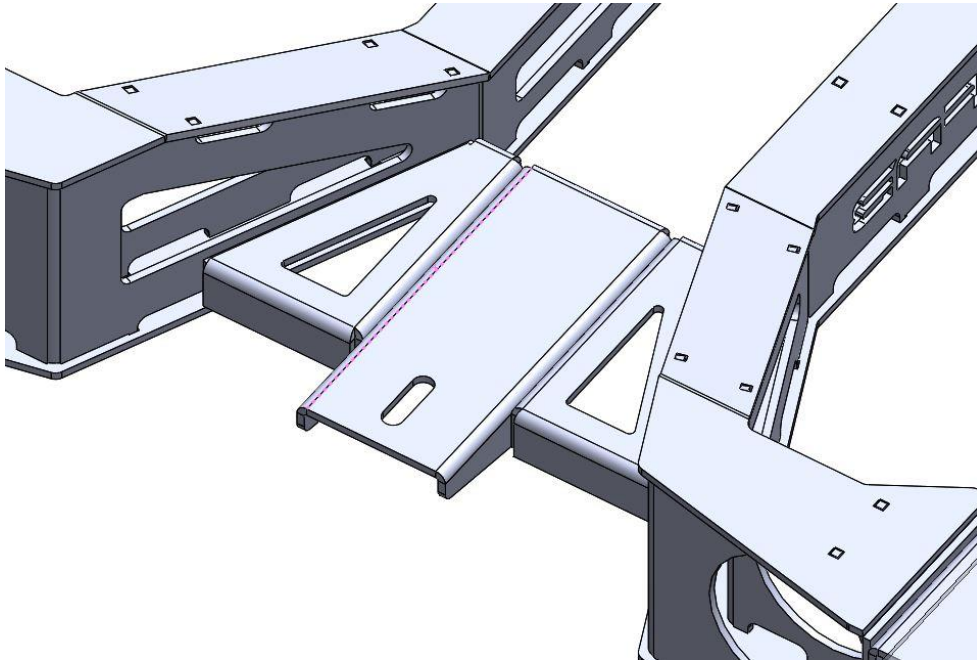
ENSURE SHIM PLATES ARE INSTALLED BETWEEN CARRIER BEARING X-MEMBER AND FRONT STRUTS OF INNER FRAME STIFFENER ***(SEE BELOW IMAGE)

ENSURE STRUT TO FRAME MOUNTING BRACKETS ARE ORIENTED CORRECTLY (SEE BELOW IMAGE)

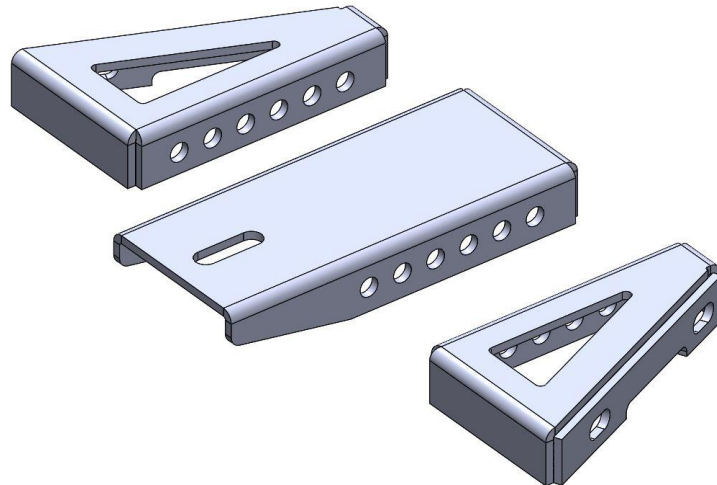


-INSTALL TRANSMISSION MOUNTING BRACKET INTO THE INNER FRAME STIFFENER FRONT STRUTS USING SUPPLIED 3/8 GRADE 8 HARDWARE

DO NOT FULLY TIGHTEN AT THIS TIME



TRANSMISSION MOUNTING BRACKET HAS MULTIPLE FORE-AFT MOUNTING LOCATIONS ALLOWING IT TO WORK FOR MULTIPLE CONFIGURATIONS



IF THE MOUNTING BRACKET DOES NOT FIT YOUR APPLICATION WITHOUT THE USE OF SHIMS OR MODIFICATIONS, PLEASE CONTACT PBFAB. WE WILL HAPPILY MAKE A MOUNTING BRACKET TO FIT YOUR APPLICATION AT NO ADDITIONAL CHARGE

TIGHTEN ALL MOUNTING HARDWARE TORQUE 7/16 HARDWARE TO 65 FT. LBS AND 3/8 GRADE 8 HARDWARE TO 50 FT. LBS